

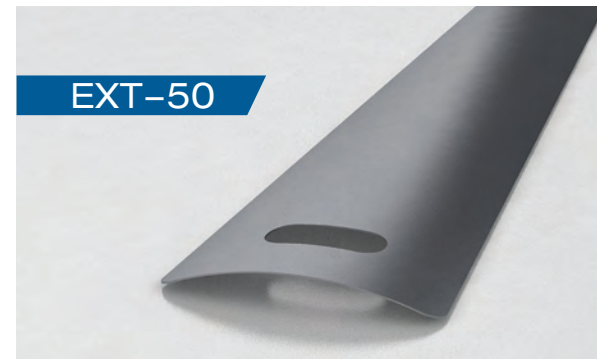
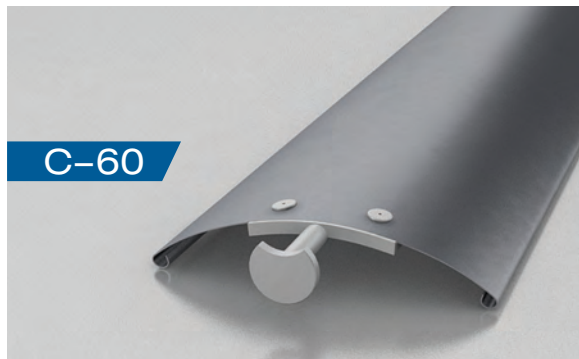
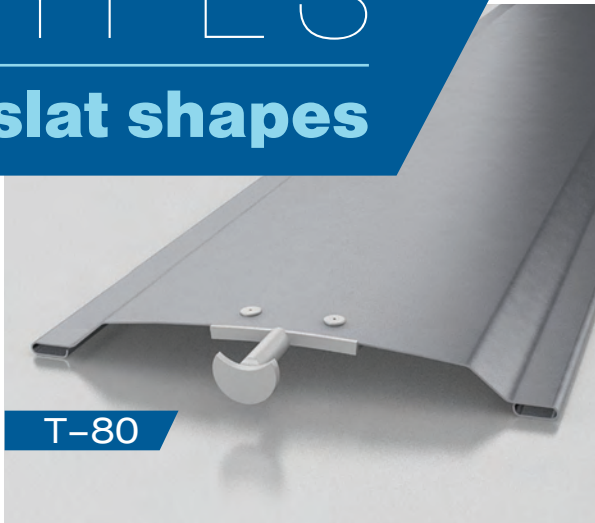
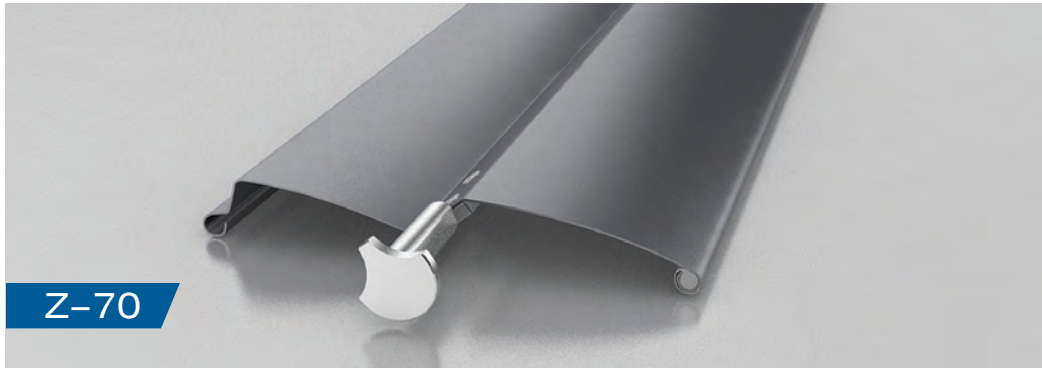


# EXTERNAL BLINDS

increase  
the comfort  
of your living

**CLIMAX**   
Sunscreens by Servis Climax a.s.

# TYPES of slat shapes









## SHADE THE INTERIOR

while keeping  
ventilation options

## PROTECT YOUR PRIVACY

from unwanted  
views

## PREVENT OVERHEATING

of the interior and help save  
costs for air conditioning

# external

External blinds represent a modern, efficient and currently the most widely used way of exterior shading. They allow ventilation through an open window and, at the same time, allow the control of the amount of light in the interior thanks to the tilting of the slats. External blinds create a pleasant and healthy environment for your loved ones.

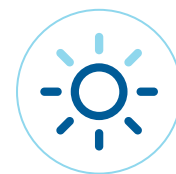
# blinds



allow you to simultaneously shade and vent when the window is open



give the house a modern look



control the amount of light and temperature inside the room



help save the costs for air conditioning in the summer



we do it

For more than 25 years, CLIMAX has been improving the living environment for people from all over the world.

We shade family houses and apartment buildings, residences, universities, hospitals, town halls, ministries and commercial centres around the world. You can find our products in every European country, Middle East or Australia.

differently

The story of the CLIMAX company began in 1992 in the heart of Europe. Five years later we had our own production facility in Vsetín.

Today we produce in 5 halls on an area of 30,000 m<sup>2</sup> and our annual turnover has already exceeded CZK 1 billion.



4-year

Each of our products undergoes testing and careful final inspection. The result is a top-quality assortment with a 4-year guarantee. We use only high-quality and proven components for production. We supply satisfied customers to more than 30 countries all over the world.

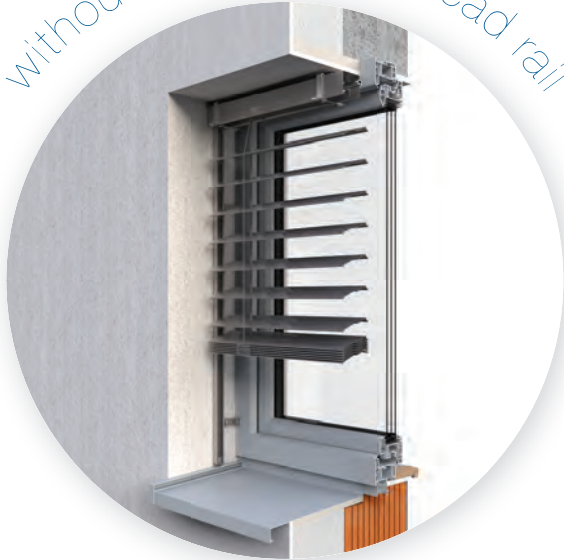
guarantee





# classification based on

without covering the head rail



with an aluminium cover plate



self-supporting COMFORT system



The head rail is placed in a window opening and it is visible as well as the anchoring elements.

The aluminum cover plate covers both the head rail and the slat bundle and protects them from the weather when the blind is pulled out. Its colour can be matched with the colour of the blind or facade.

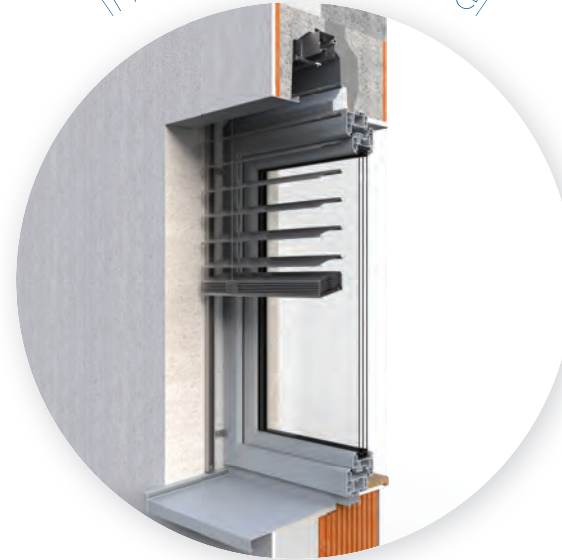
It is used where there is no possibility to attach the head rail to the building. In this case, the blind is anchored through the guide rails into the reveal or into the window frame.

# installation method

*in the built-in box*



*in the HELUZ lintel*



The blind box is designed for plastering and is not visible on the building facade. In our offer you will find several types of built-in boxes.

A special construction lintel for the placement of external blinds serves as a standard load-bearing lintel. The blinds can be installed in them even after the construction is completed.



wide  
selection of  
colours



# Dimensions of external blinds

Blind type	Operation		Width (cm)		Height (cm)		Max. area of 1 blind
			Min. guaranteed	Max. guaranteed	Min. guaranteed	Max. guaranteed	
T-80	crank		50	500	50	500	8 m <sup>2</sup>
	motor	SOMFY					20 m <sup>2</sup>
			GEIGER				
	C-80 C-80 CC	crank		50	500	50	500
motor		SOMFY	20 m <sup>2</sup>				
			GEIGER				
C-80 VENTAL		crank		50	500	50	500
	motor	SOMFY	20 m <sup>2</sup>				
			GEIGER				
	C-60	crank		50	500	50	500
motor		SOMFY	20 m <sup>2</sup>				
			GEIGER				
Z-90 NOVAL		crank		50	500	50	500
	motor	SOMFY	20 m <sup>2</sup>				
			GEIGER				
	Z-70	crank		50	500	50	500
motor		SOMFY	20 m <sup>2</sup>				
			GEIGER				
F-80		crank		50	450	50	500
	motor	SOMFY	20 m <sup>2</sup>				
			GEIGER				
	EXT-50 H	crank		50	300	50	350
motor		SOMFY	9 m <sup>2</sup>				
			GEIGER				
EXT-50		cord		50	250	50	250
	chain		4 m <sup>2</sup>				
	crank						
	motor		60				4 m <sup>2</sup>
	Self-supporting system 250	crank		50	250	50	400
motor		10 m <sup>2</sup>					
Self-supporting system 400	crank		50	400	50	500	6 m <sup>2</sup>
	motor						12 m <sup>2</sup>
MISTRAL	crank		70	250	50	400	8 m <sup>2</sup>
	motor						10 m <sup>2</sup>

MINIMUM DEPTH "X" OF ASSEMBLY SPACE FOR SLATS IN MM			
slat type	wire	guide rail	built-in guide rail
T-80	120	120	120
C-80	120	120	120
C-80 CC	130	130	130
C-80 VENTAL	130	130	130
C-60	100	100	100
Z-90 NOVAL	140	140	140
Z-70	120	120	120
F-80	120	120	120
EXT-50 H	100	-	-
EXT-50	87	-	-







# Wind resistance

BEAUFORT SCALE				
Wind resistance class	Beaufort class	Wind speed (km/h)	Wind type	Wind characteristics
0	0	0 - 1	calm	Smoke rises vertically.
	1	2 - 5	light air	Smoke drift indicates wind directions, vanes do not move.
	2	6 - 11	light breeze	Wind felt on face; leaves rustle; vanes begin to move.
1	3	12 - 19	gentle breeze	Leaves, small twigs in constant motion; light flags extended.
	4	20 - 28	moderate breeze	Dust, leaves and loose paper raised up; small branches move.
2	5	29 - 38	fresh breeze	Small trees begin to sway.
3	6	39 - 49	strong breeze	Large branches of trees in motion; whistling heard in wires; using an umbrella becomes difficult.
4	7	50 - 61	moderate gale	Whole trees in motion; resistance felt in walking against the wind.
5	8	62 - 74	fresh gale	Twigs and small branches broke off trees; walking in straight position against the wind is not possible.
6	9	75 - 88	strong gale	Slight structural damage occurs; slate, chimneys blown from roofs.
-	10	89 - 102	whole gale	Seldom experienced on land; trees broken, structural damage occurs.
	11	103 - 117	storm	Widespread damage on land.
-	12	over 118	hurricane	The destructive effects; carries away houses; moves heavy masses.



WIND RESISTANCE OF EXTERNAL BLINDS GUIDED IN THE WIRE													
Wind resistance classes applicable to both pressure and suction loads	Width (cm)	A ≤ 200		200 < A ≤ 300		300 < A ≤ 400		400 < A ≤ 450		450 < A ≤ 480		480 < A ≤ 500	
	Height (cm)	EN 13 659 + A1	Beaufort	EN 13 659 + A1	Beaufort	EN 13 659 + A1	Beaufort	EN 13 659 + A1	Beaufort	EN 13 659 + A1	Beaufort	EN 13 659 + A1	Beaufort
T-80	up to 250	2	5	1	4	0	3	0	2	0	1	0	0
	up to 400	1	4	0	3	0	2	0	1	0	0	0	0
C-80 C-80 CC	up to 250	2	5	1	4	0	3	0	2	0	1	0	0
	up to 400	1	4	0	3	0	2	0	1	0	0	0	0
C-80 VENTAL	up to 250	2	5	1	4	0	3	0	2	0	1	0	0
	up to 400	1	4	0	3	0	2	0	1	0	0	0	0
C-60	up to 250	2	5	1	4	0	3	0	2	0	1	0	0
	up to 400	1	4	0	3	0	2	0	1	0	0	0	0
Z-90 NOVAL	up to 250	2	5	1	4	0	3	0	2	0	1	0	0
	up to 400	1	4	0	3	0	2	0	1	0	0	0	0
Z-70	up to 250	2	5	1	4	0	3	0	2	0	1	0	0
	up to 400	1	4	0	3	0	2	0	1	0	0	0	0
F-80	up to 250	2	5	1	4	0	3	0	2	0	1	0	0
	up to 400	1	4	0	3	0	2	0	1	0	0	0	0
EXT-50 EXT-50 H	up to 250	1	4	0	3	0	2	0	1	0	0	0	0
	up to 400	0	3	0	2	0	1	0	0	0	0	0	0

WIND RESISTANCE OF EXTERNAL BLINDS GUIDED IN GUIDE RAILS													
Wind resistance classes applicable to both pressure and suction loads	Width (cm)	A ≤ 200		200 < A ≤ 300		300 < A ≤ 400		400 < A ≤ 450		450 < A ≤ 480		480 < A ≤ 500	
	Height (cm)	EN 13 659 + A1	Beaufort	EN 13 659 + A1	Beaufort	EN 13 659 + A1	Beaufort	EN 13 659 + A1	Beaufort	EN 13 659 + A1	Beaufort	EN 13 659 + A1	Beaufort
T-80	up to 400	4	7	3	6	2	5	1	4	0	3	0	3
C-80, C-80 CC		4	7	3	6	2	5	1	4	0	3	0	2
C-80 VENTAL		5	8	4	7	3	6	2	5	1	4	0	3
C-60		5	8	4	7	3	6	2	5	1	4	0	3
Z-90 NOVAL		4	7	3	6	2	5	1	4	0	3	0	2
Z-70		5	8	4	7	3	6	2	5	1	4	0	3
F-80		3	6	2	5	1	4	0	3	0	2	0	1

# Height of stack of slats

	T-80		C-80		C-80 CC		C-80 VENTAL		C-60	
										
blind height (cm)	crank	motor	crank	motor	crank	motor	crank	motor	crank	motor
50 - 75 cm	13	15	14	16	13	15	12.5	14.5	18	20
75.1 - 100 cm	15	17	16	18	14	16	14	16	20	22
100.1 - 125 cm	16	18	18	20	16	18	15.5	17.5	22	24
125.1 - 150 cm	17	19	20	22	17	19	17	19	24	26
150.1 - 175 cm	18	20	22	24	19	21	18.5	20.5	26	28
175.1 - 200 cm	19	21	24	26	21	23	20	22	28	30
200.1 - 225 cm	20	22	26	28	22	24	21.5	23.5	30	32
225.1 - 250 cm	21	23	28	30	24	26	22.5	24.5	32	34
250.1 - 275 cm	22	24	30	32	25	27	23.5	25.5	34	36
275.1 - 300 cm	23	25	32	34	27	29	25	27	36	38
300.1 - 325 cm	24	26	34	36	28	30	26.5	28.5	38	40
325.1 - 350 cm	25	27	36	38	30	32	27.5	29.5	40	42
350.1 - 375 cm	27	29	38	40	31	33	29	31	42	44
375.1 - 400 cm	28	30	40	42	33	35	30	32	44	46
400.1 - 425 cm	29	31	42	44	34	36	31.5	33.5	46	48
425.1 - 450 cm	30	32	44	46	36	38	33	35	48	50
450.1 - 475 cm	31	33	46	48	37	39	34.5	36.5	50	52
475.1 - 500 cm	32	34	48	50	39	41	36	38	52	54





## Height of stack of slats

	Z-90 NOVAL		Z-70		F-80		EXT-50 H		EXT-50	
blind height (cm)	crank	motor	crank	motor	crank	motor	crank	motor	crank	motor
50 - 75 cm	12	14	15	17	11.5	13.5				
75.1 - 100 cm	14	16	16	18	12.5	14.5	11.5	13.5		9.5
100.1 - 125 cm	15	17	17	19	13	15				
125.1 - 150 cm	16	18	19	21	14	16	13	15		11
150.1 - 175 cm	18	20	21	23	14.5	16.5				
175.1 - 200 cm	19	21	23	25	15.5	17.5	14	16		12
200.1 - 225 cm	20	22	25	27	16	18				
225.1 - 250 cm	22	24	27	29	17	19	15.5	17.5		13.5
250.1 - 275 cm	23	25	28	30	17.5	19.5				
275.1 - 300 cm	24	26	29	31	18.5	20.5	17	19		15
300.1 - 325 cm	25	27	31	33	19	21				
325.1 - 350 cm	27	28	33	35	20	22	18.5	20.5		16
350.1 - 375 cm	28	30	35	37	20.5	22.5				
375.1 - 400 cm	29	31	37	39	21	23	20	22		-
400.1 - 425 cm	30	32	38	40	22	24				
425.1 - 450 cm	31	33	40	42	23	25				-
450.1 - 475 cm	33	35	41	43	23.5	25.5				-
475.1 - 500 cm	34	36	43	45	24.5	26.5				-

## Wall remote control

If you prefer classic operation, you can control the blinds with a wall mounted controller.



## Portable remote control

Control each blind simply from the comfort of your chair.



## iO homecontrol

An intelligent system that makes your life easier and more comfortable. Everything is controlled thanks to a mobile app via your phone or tablet from anywhere in the world.



## Wireless timer

Simply set the time and the blinds will automatically close or open at the specified time according to your request.



## Solar sensor

When the sun comes out, the sensor protects the interior from undesirable sunlight by automatically lowering or retracting the blinds.



# EXTERIOR BLINDS

**CLIMAX**   
Sunscreens by Servis Climax a.s.

[www.servisclimax.eu](http://www.servisclimax.eu)

